

Figure 1 – Typical AECL Fuel Bundle

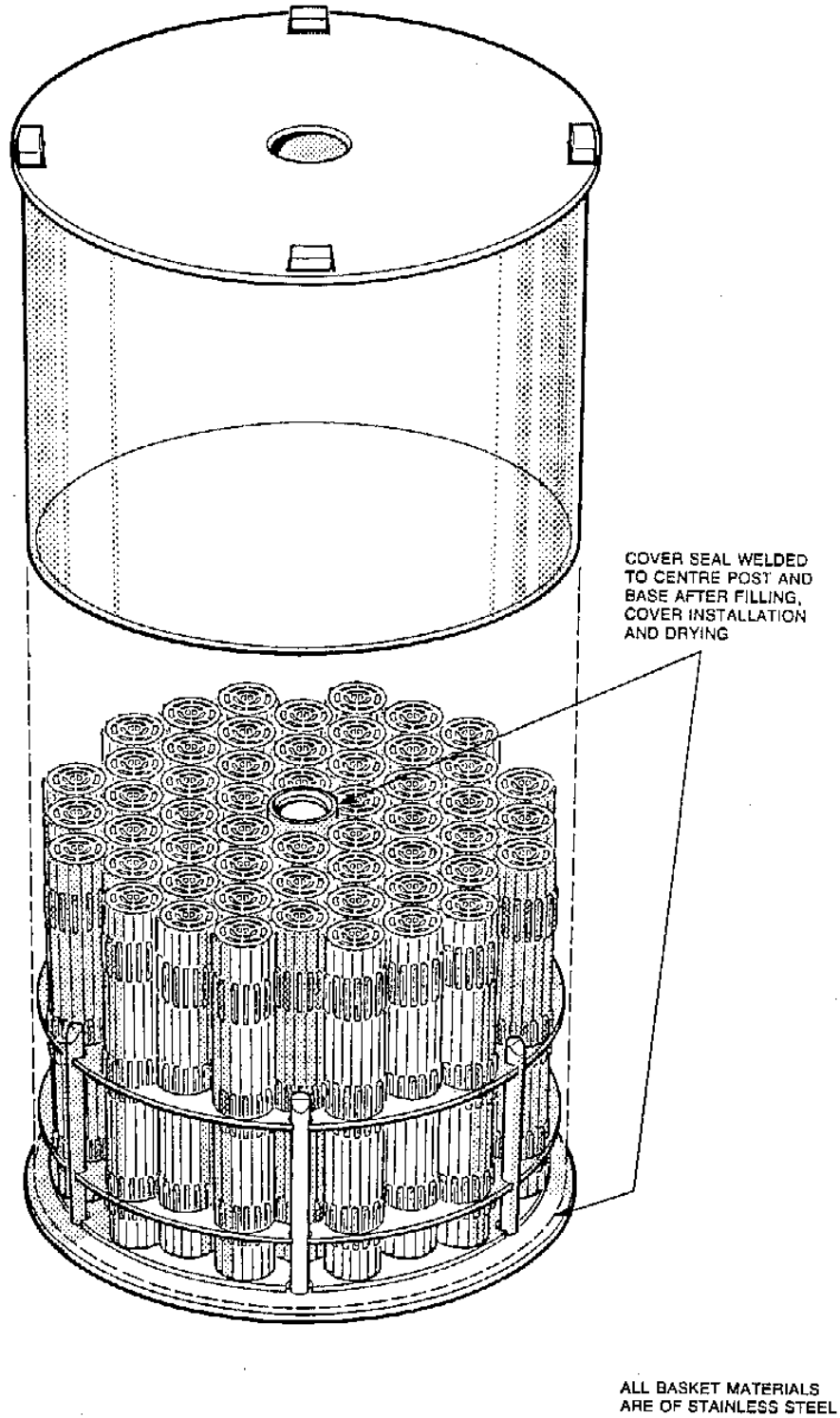


Figure 2 – Typical AECL Fuel Basket



Figure 3. Chalk River Laboratories



Figure 4. Chalk River Current Silo Array.

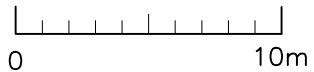
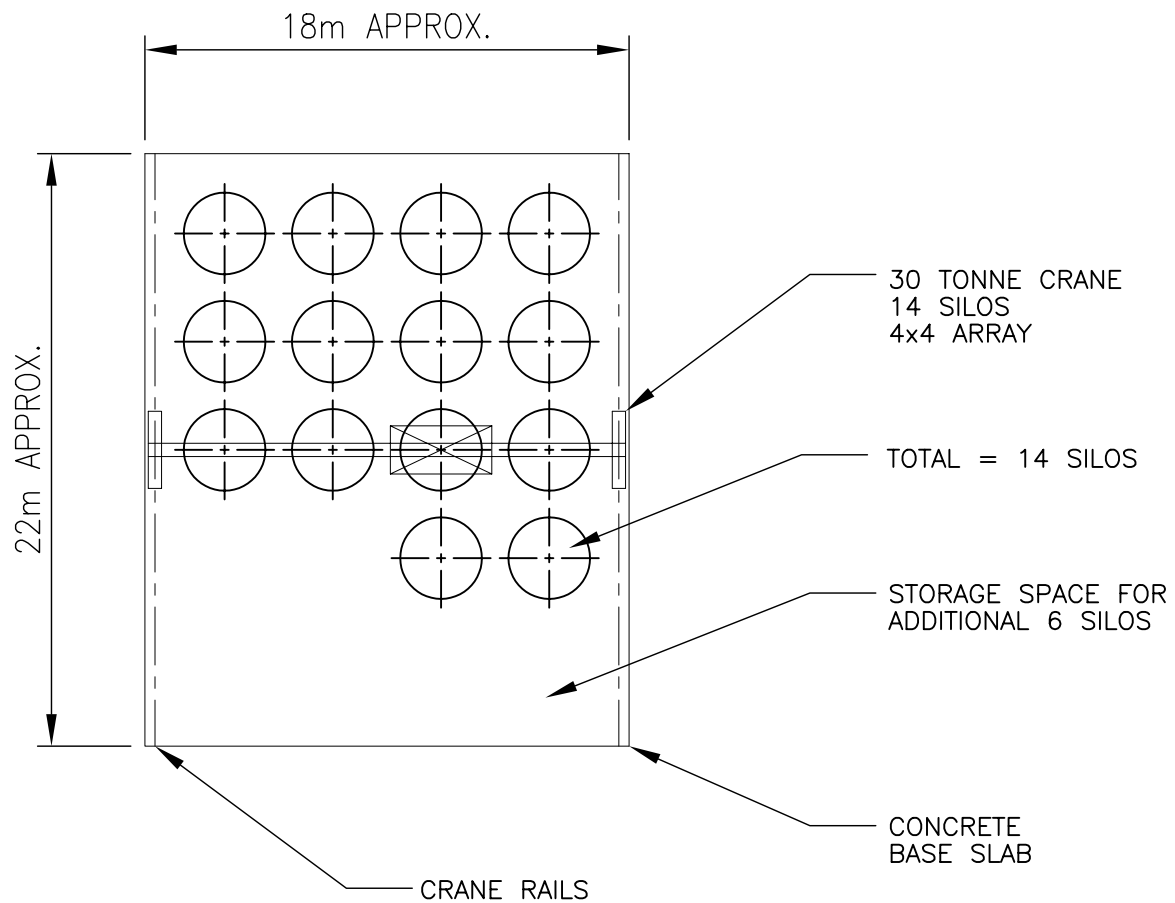


FIGURE 5
SILOS
CURRENT STORAGE FACILITY – PLAN
AECL CHALK RIVER LABORATORIES

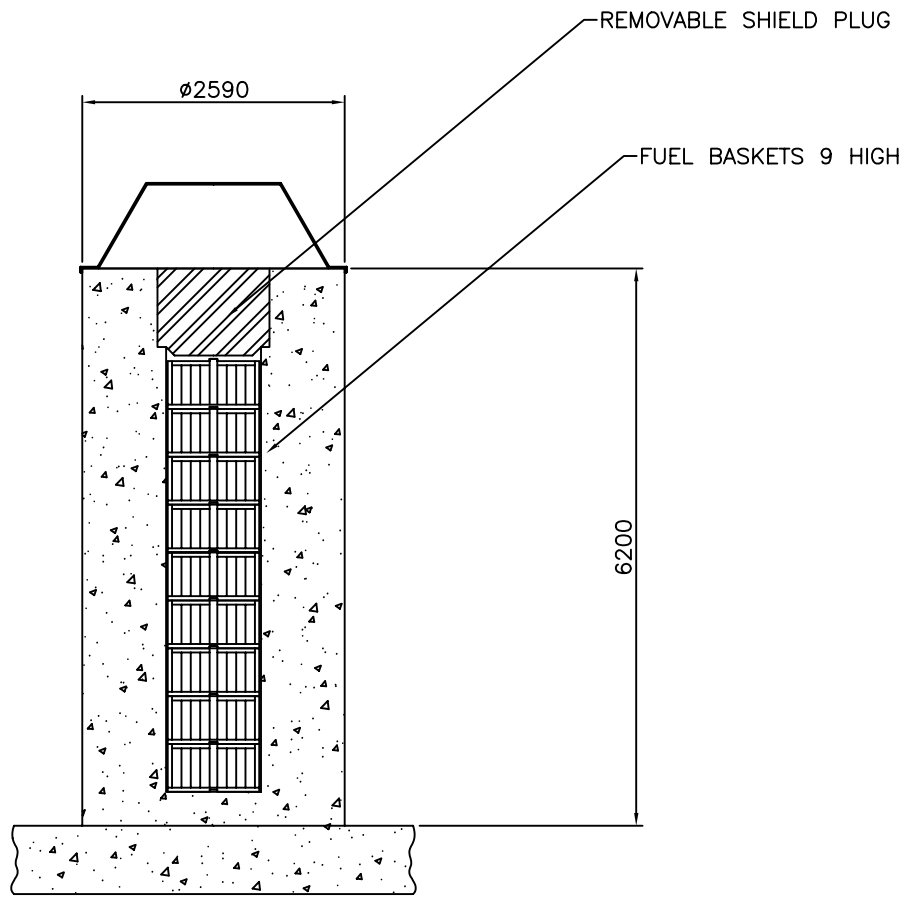
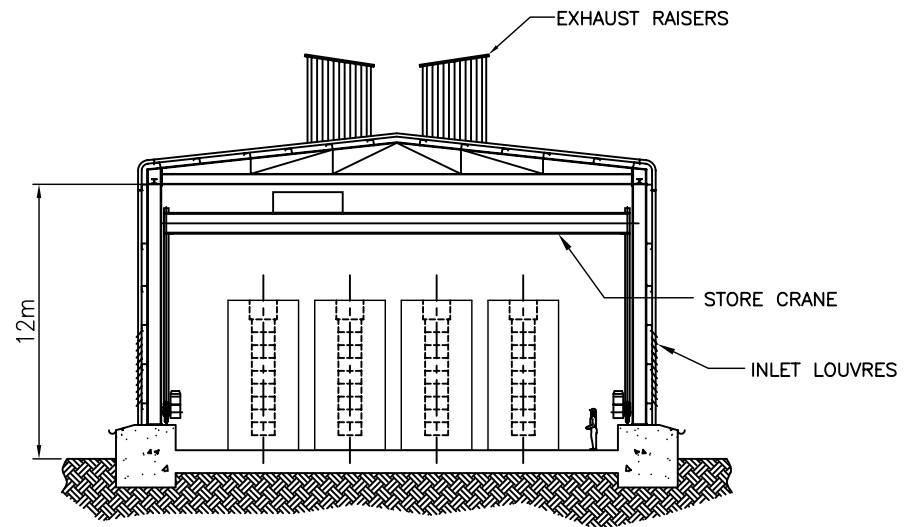
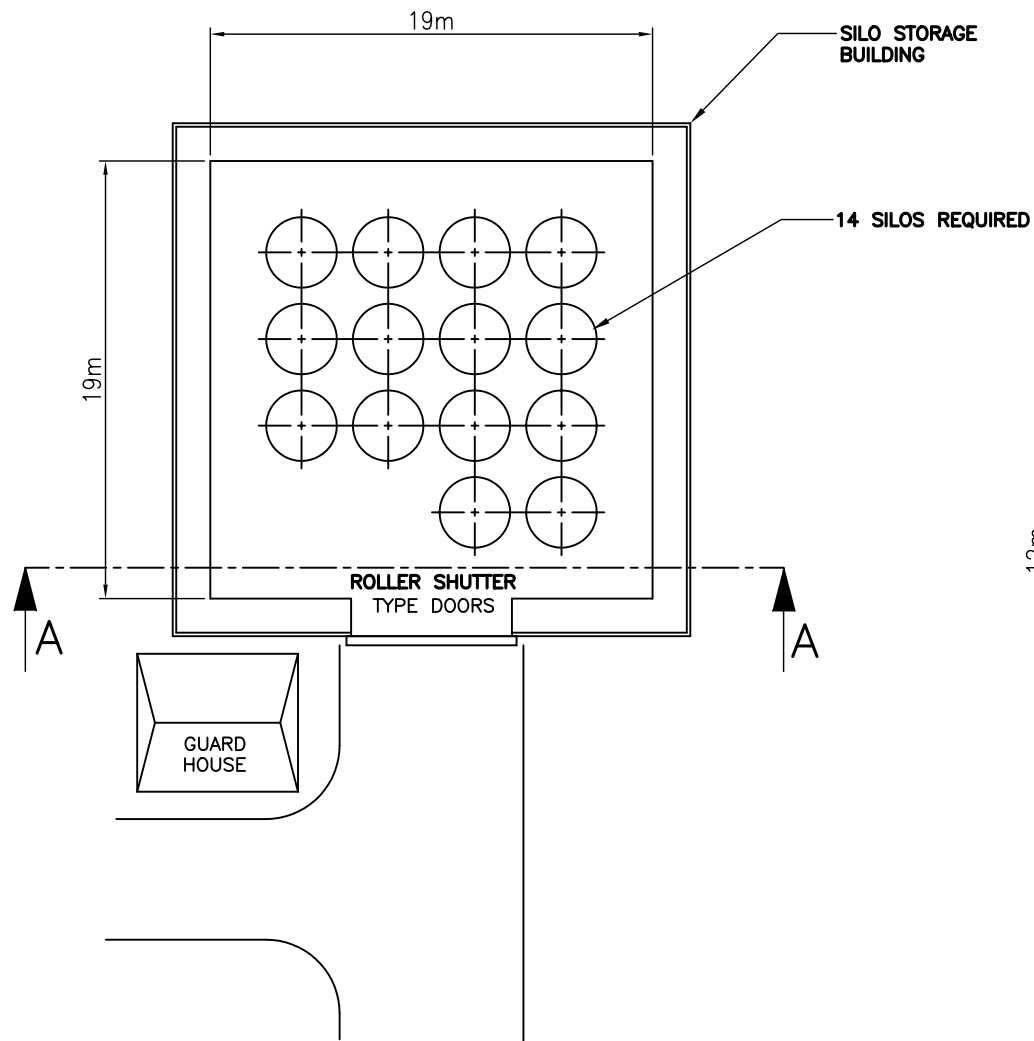


FIGURE 6
TYPICAL SECTION THROUGH
BASKET SILO



SECTION A-A

0 5m 10m

FIGURE 7

SILOS IN A STORAGE BUILDING
 STORAGE COMPLEX - PLAN & ELEVATION
 AECL CHALK RIVER LABORATORIES

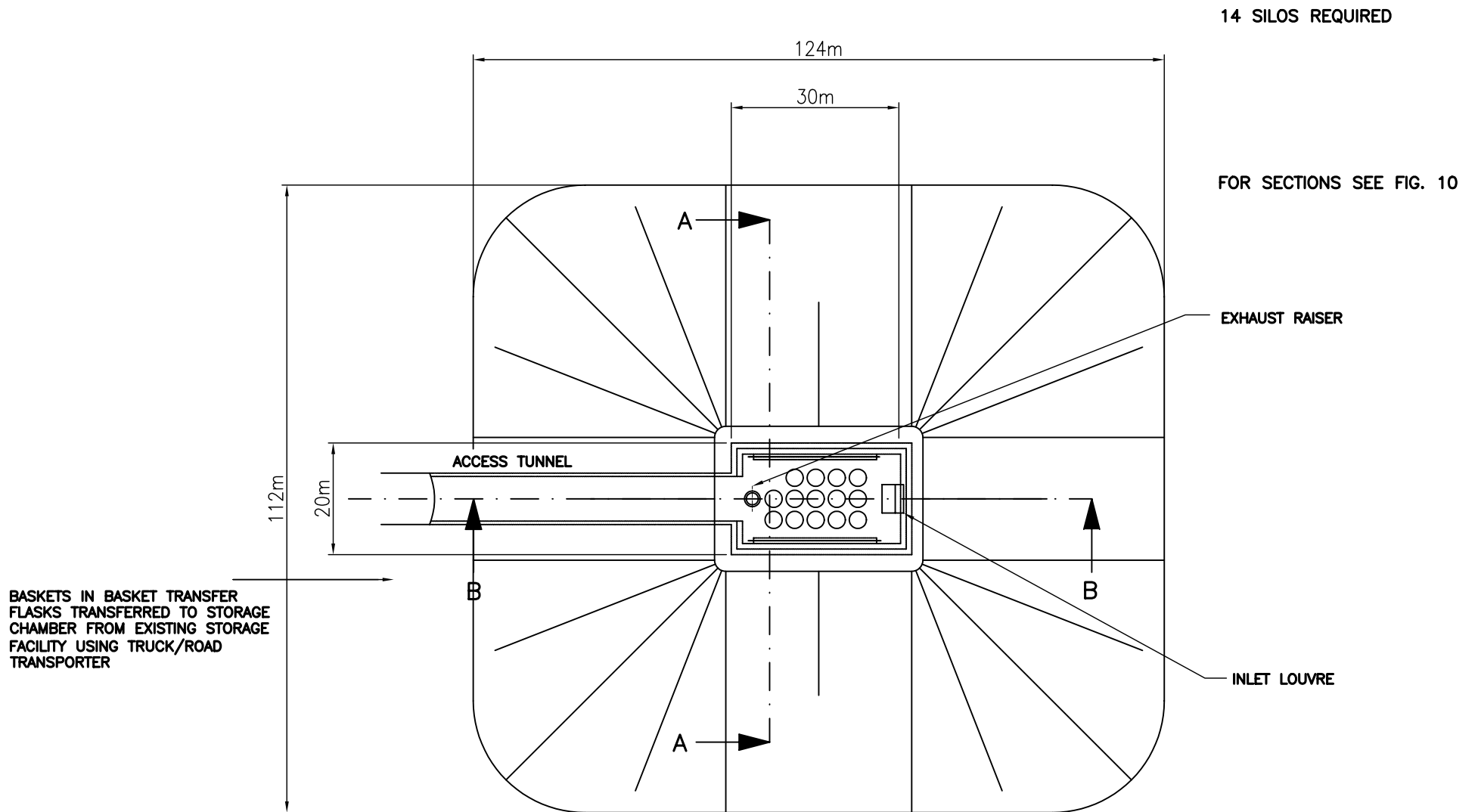
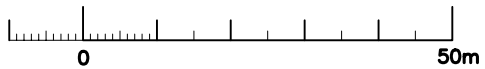
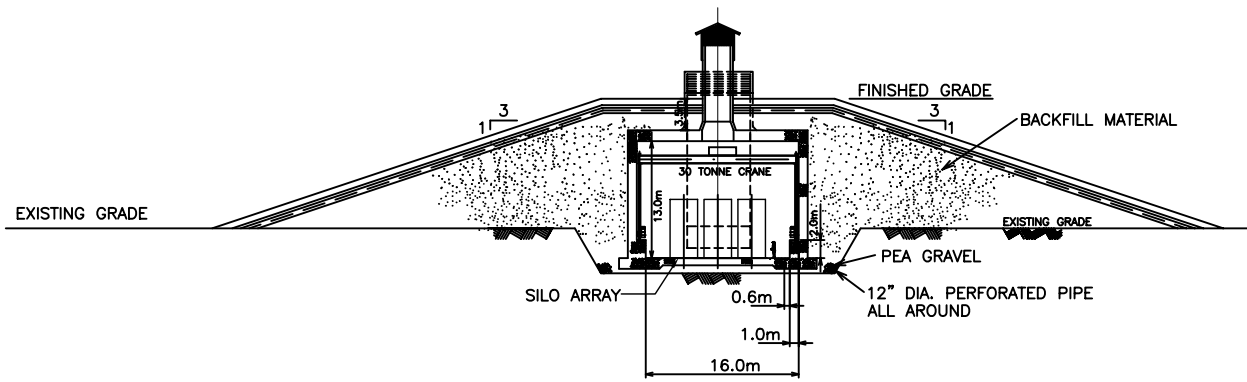
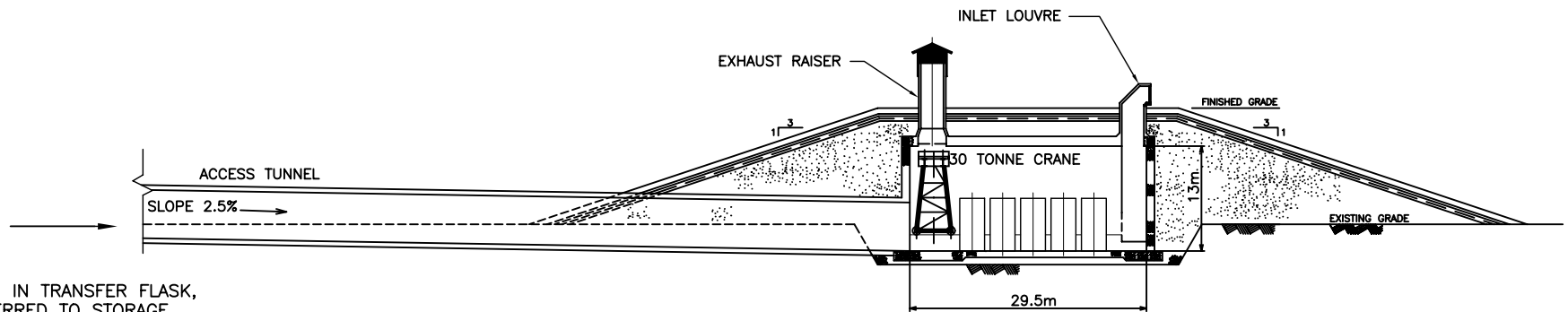


FIGURE 8
 SILOS IN A SHALLOW TRENCH
 STORAGE CHAMBER – PLAN
 AECL CHALK RIVER LABORATORIES





SECTION A-A
FROM FIGURE 8



SECTION B-B
FROM FIGURE 8

BASKETS IN TRANSFER FLASK,
TRANSFERRED TO STORAGE
CHAMBER FROM EXISTING STORAGE
FACILITY USING TRUCK/ROAD
TRANSPORTER

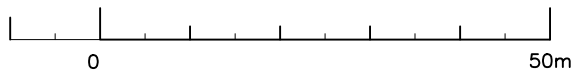
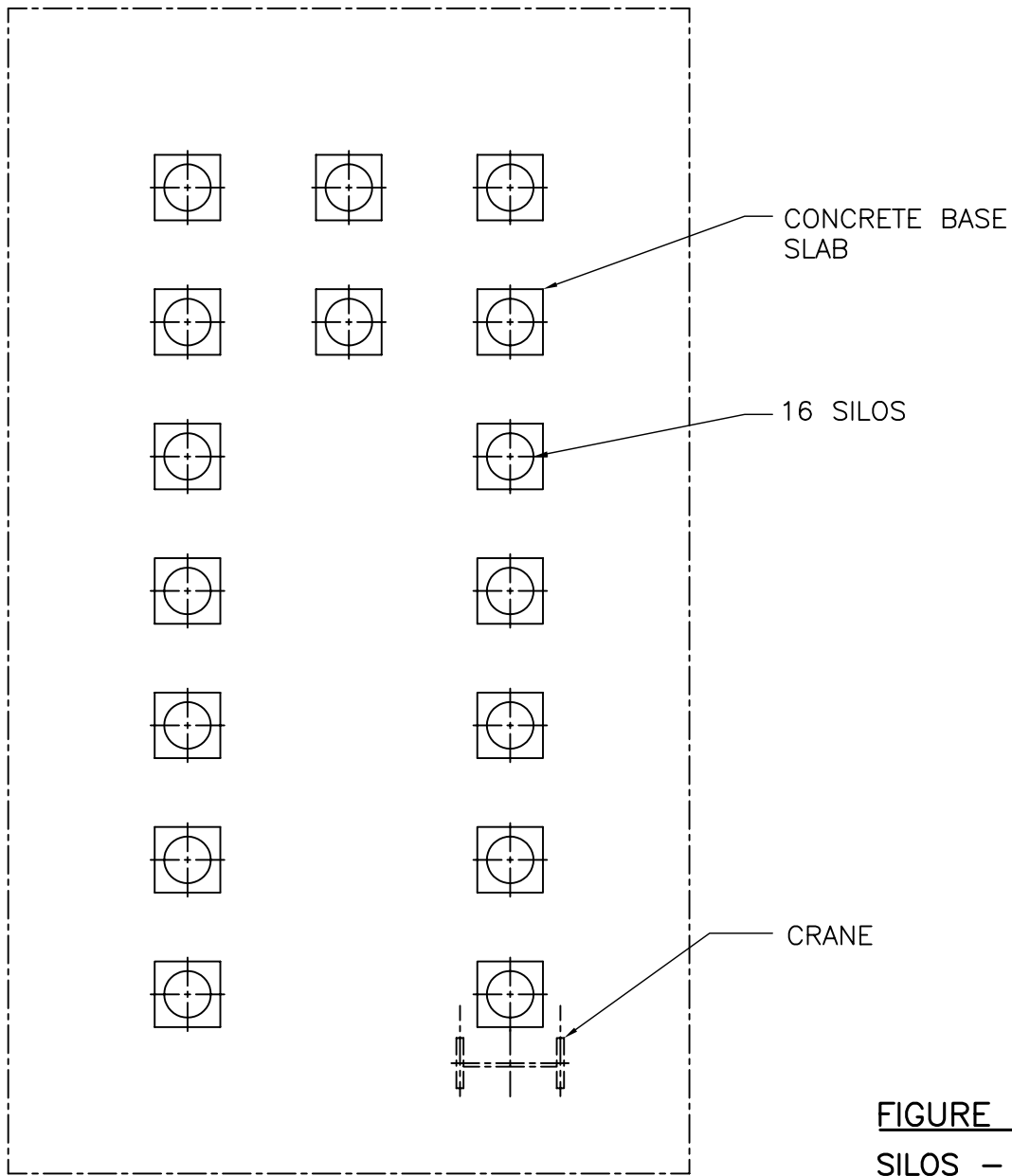


FIGURE 9
SILOS IN A SHALLOW TRENCH
STORAGE CHAMBER – SECTIONS
AECL CHALK RIVER LABORATORIES



Figure 10 – Whiteshell Laboratories Current Silo Array



0 5m 10m

FIGURE 11
SILOS – CURRENT STORAGE
STORAGE COMPLEX – PLAN & ELEVATION
AECL WHITESHELL LABORATORIES

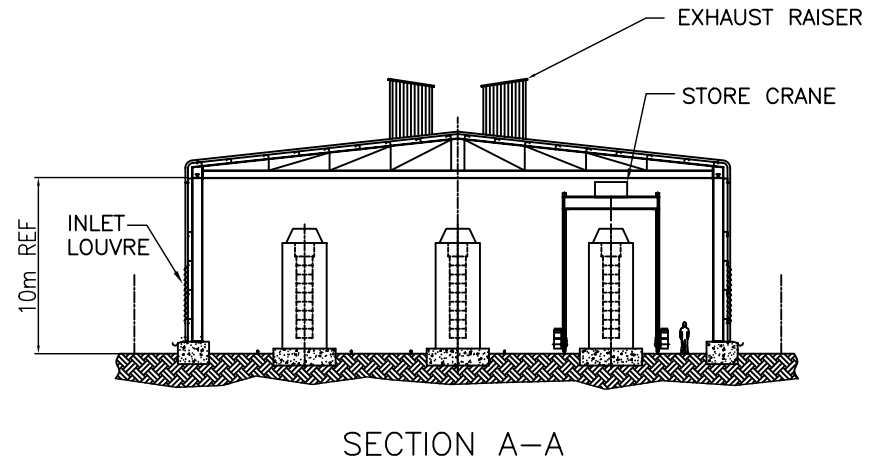
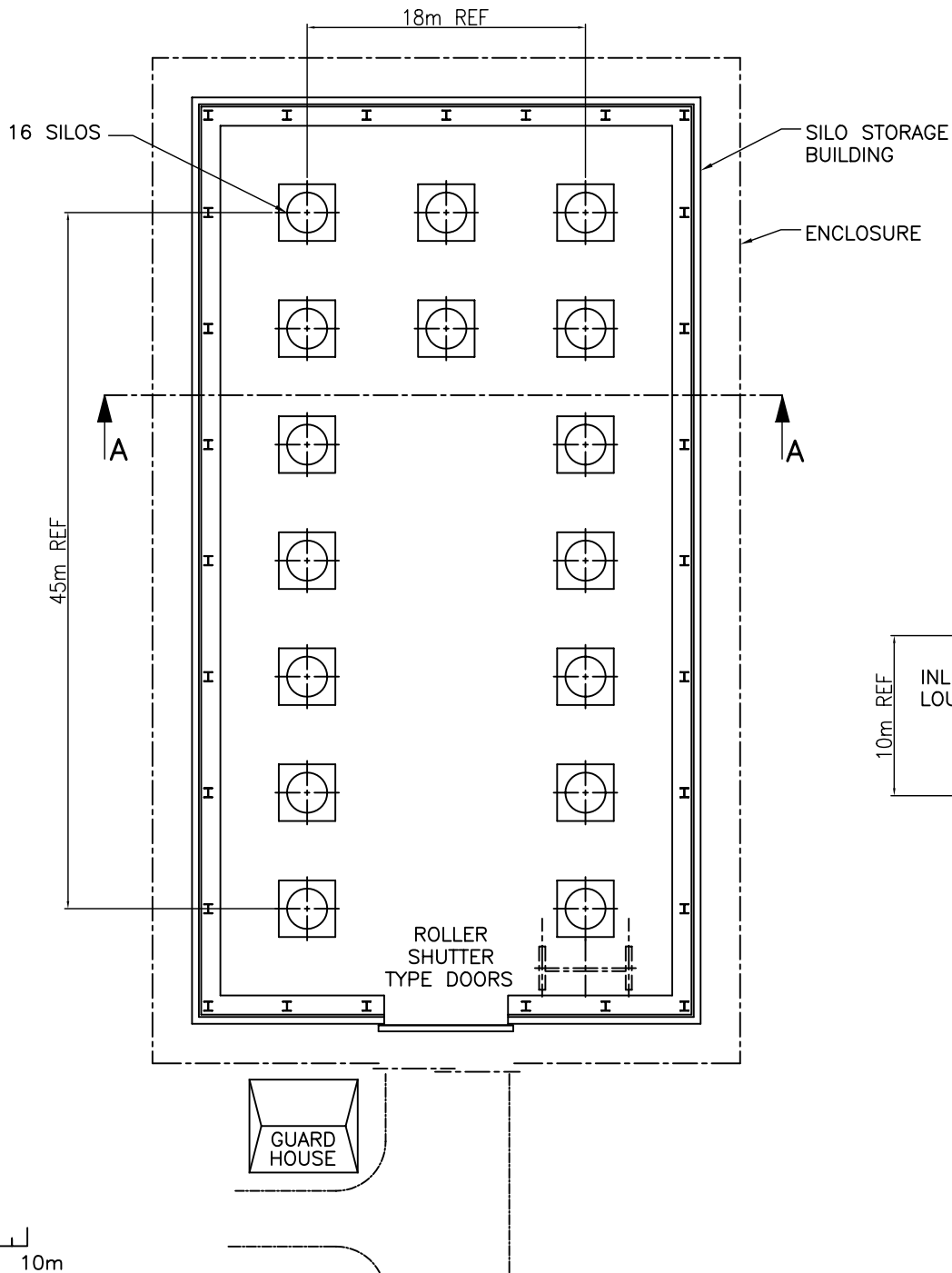
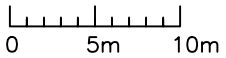


FIGURE 12

SILOS IN A STORAGE BUILDING
 STORAGE COMPLEX – PLAN & ELEVATION
 AECL WHITESHELL LABORATORIES



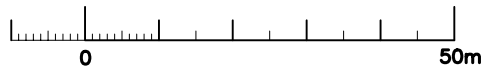
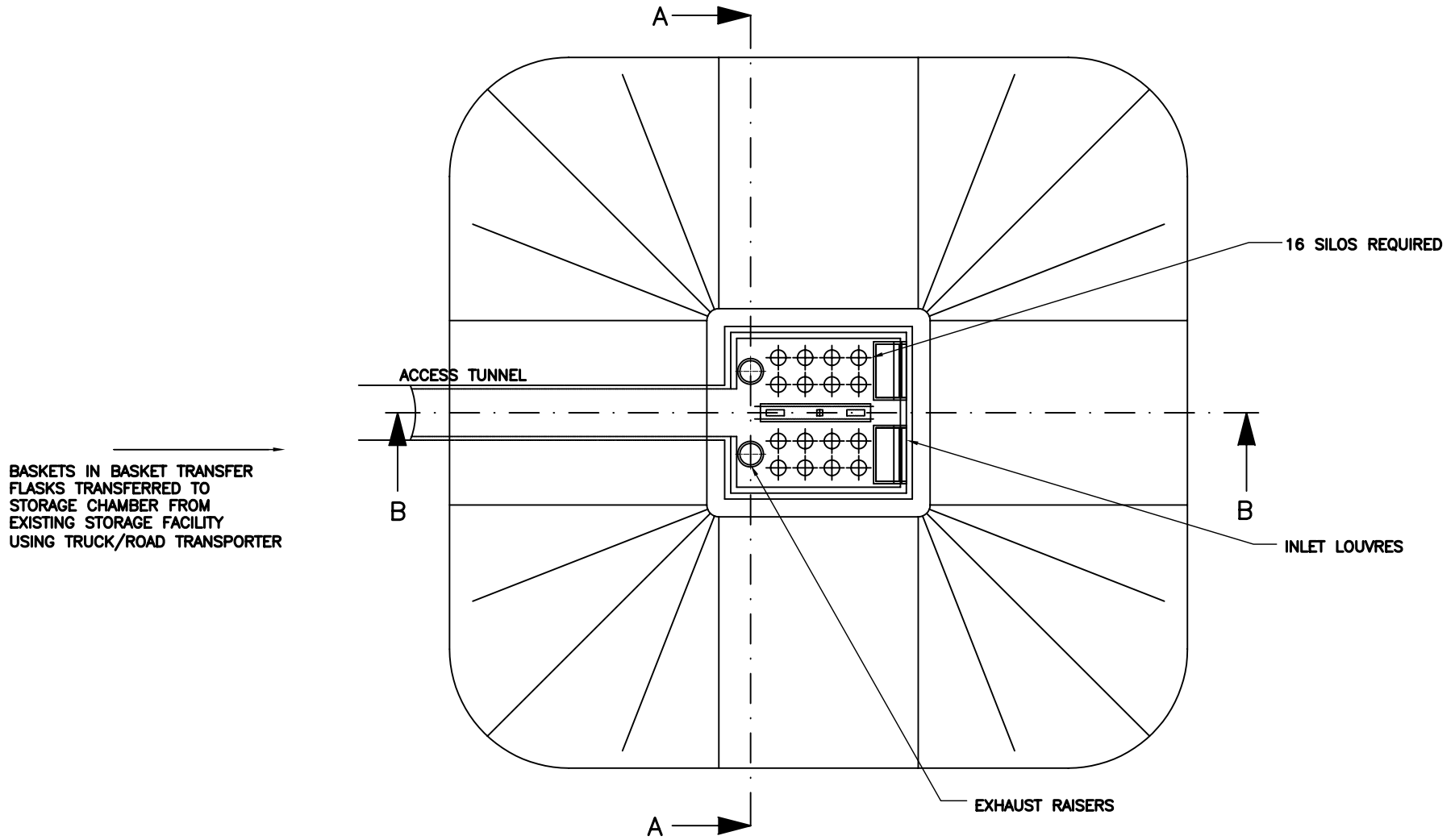
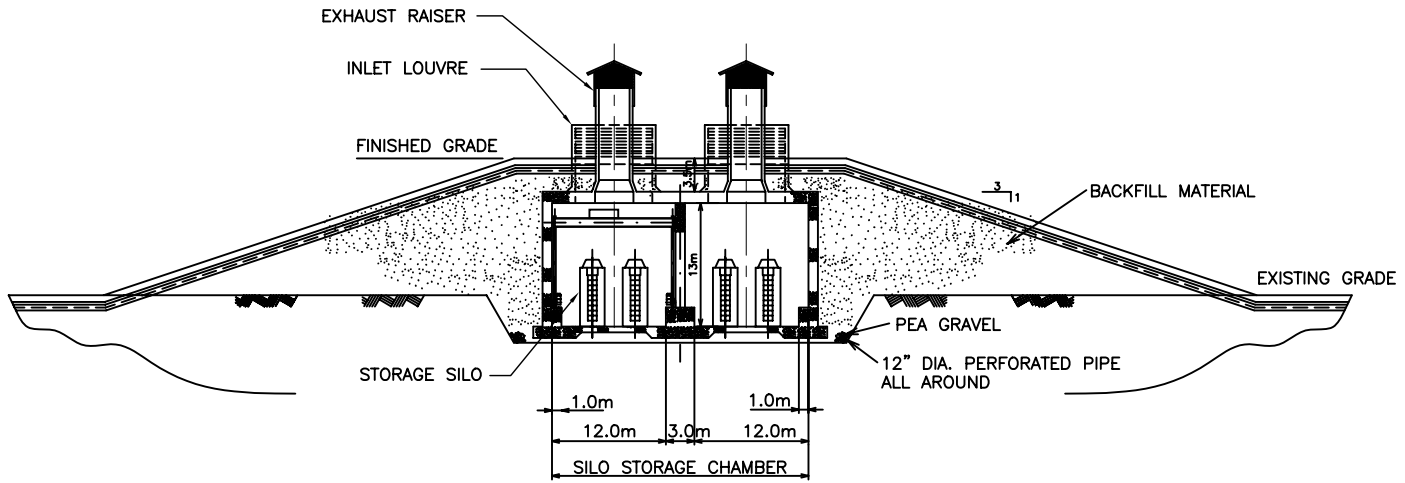
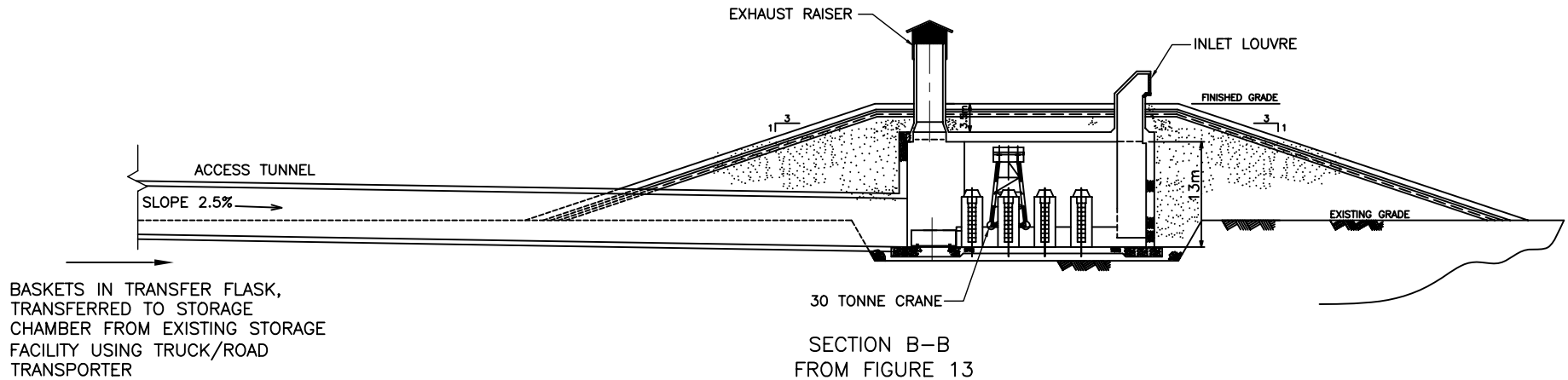


FIGURE 13
SILOS IN A SHALLOW TRENCH
STORAGE CHAMBER – PLAN
AECL WHITESHELL LABORATORIES



SECTION A-A
FROM FIGURE 13



SECTION B-B
FROM FIGURE 13

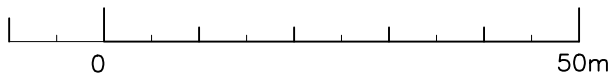


FIGURE 14
SILOS IN A SHALLOW TRENCH
STORAGE CHAMBER – SECTIONS
AECL WHITESHELL LABORATORIES