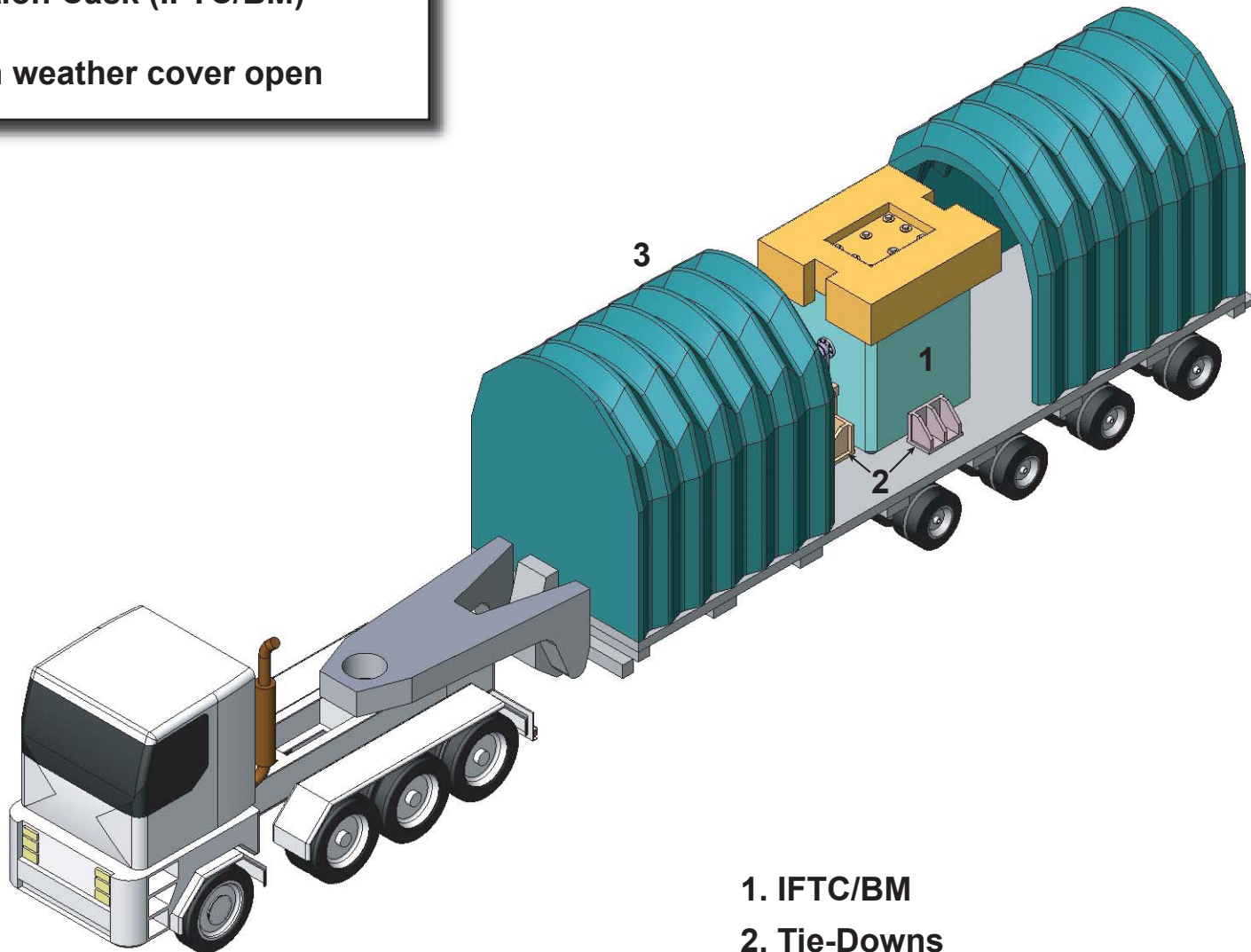


**Road Transportation of Road-weight  
Transportation Cask (IFTC/BM)**

**Shown with weather cover open**



**1. IFTC/BM**

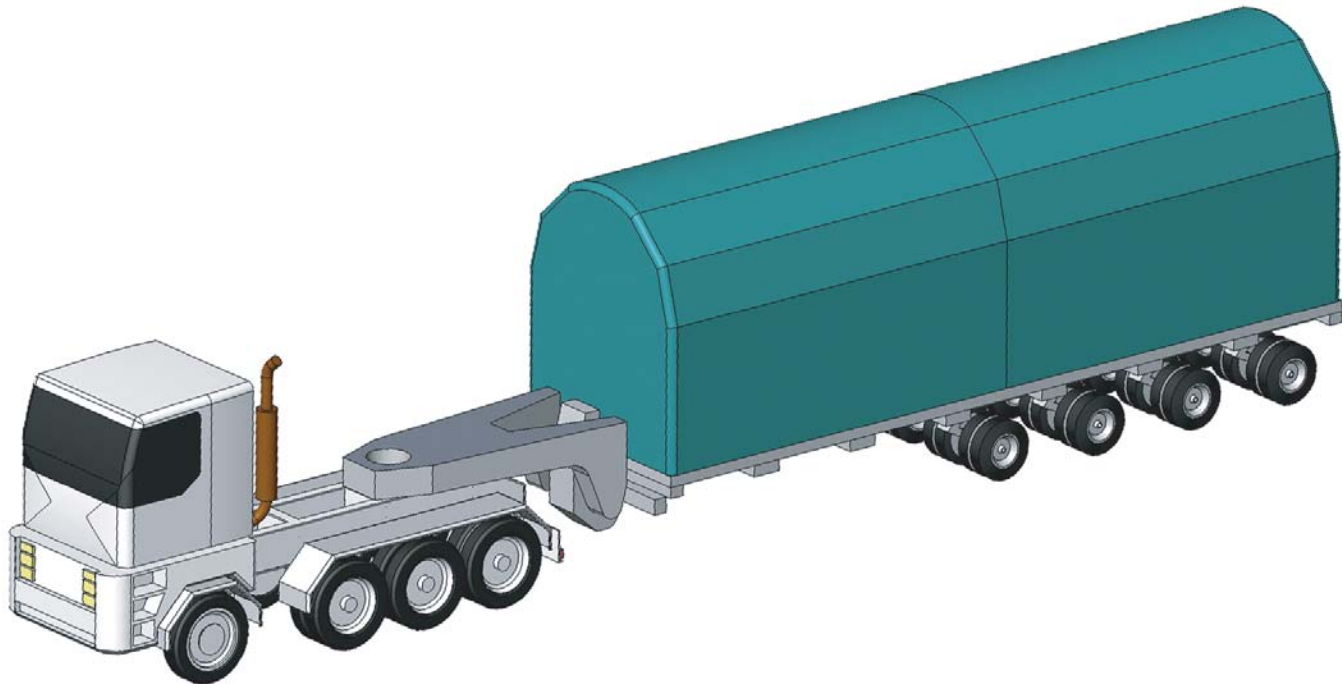
**2. Tie-Downs**

**3. Weather Cover**

**(labelling for transportation not shown)**

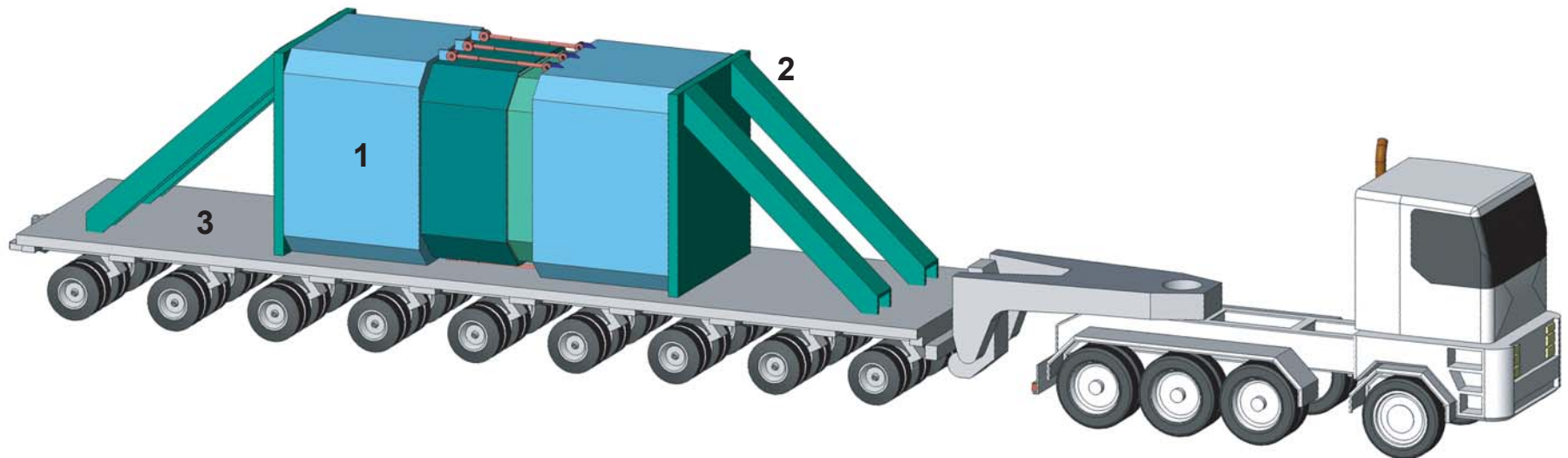
**Road Transportation of Road-Weight  
Transportation Cask**

**Shown with weather cover closed**



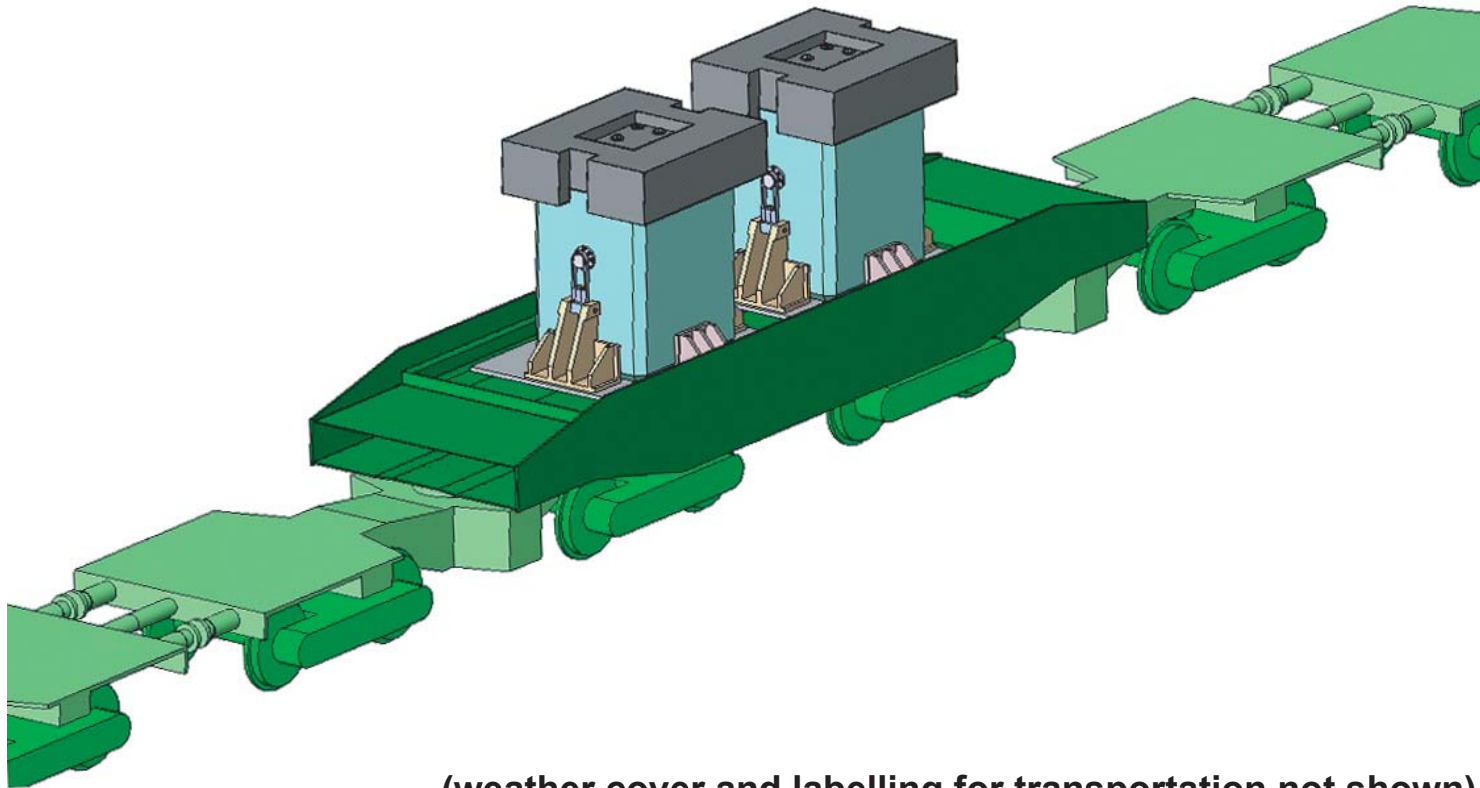
**(labelling for transportation not shown)**

## Road Transportation of Dry Storage Container Transportation Package



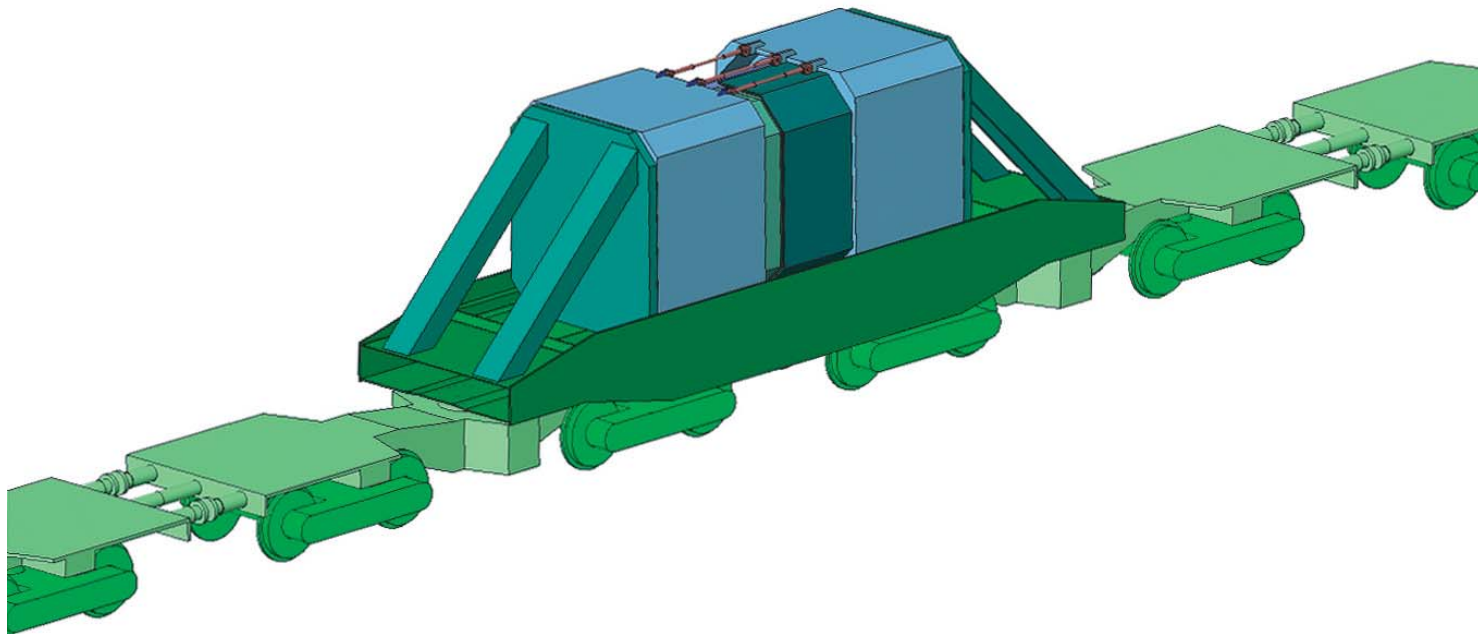
1. DSCTP
2. Beams and Clamping Mechanisms  
(side beams not shown)
3. 9-Axle Trailer  
(weather cover and labelling for transportation not shown)

**Rail Transportation of  
Transportation Cask IFTC/BM**



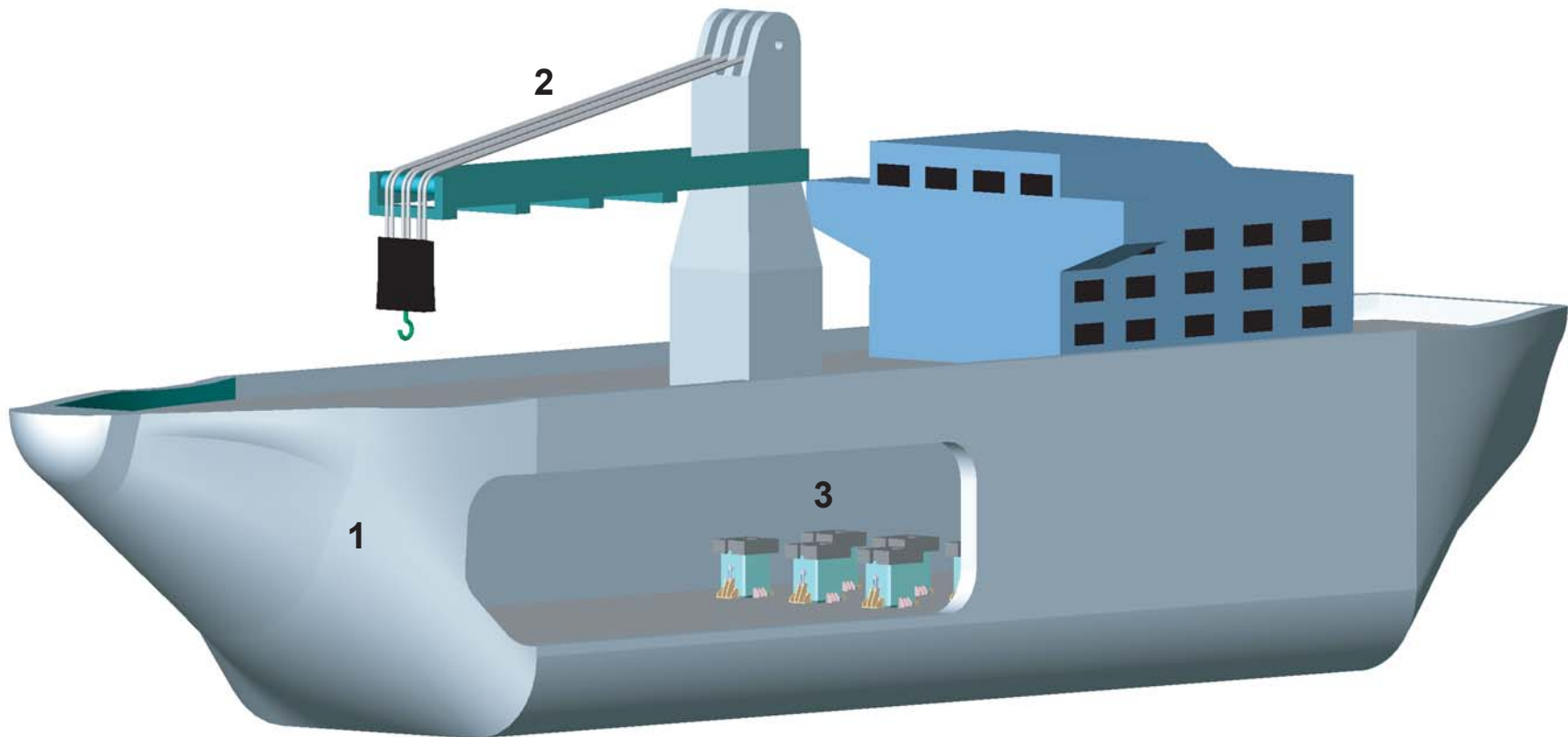
(weather cover and labelling for transportation not shown)

**Rail Transportation of Dry Storage  
Transportation Package**



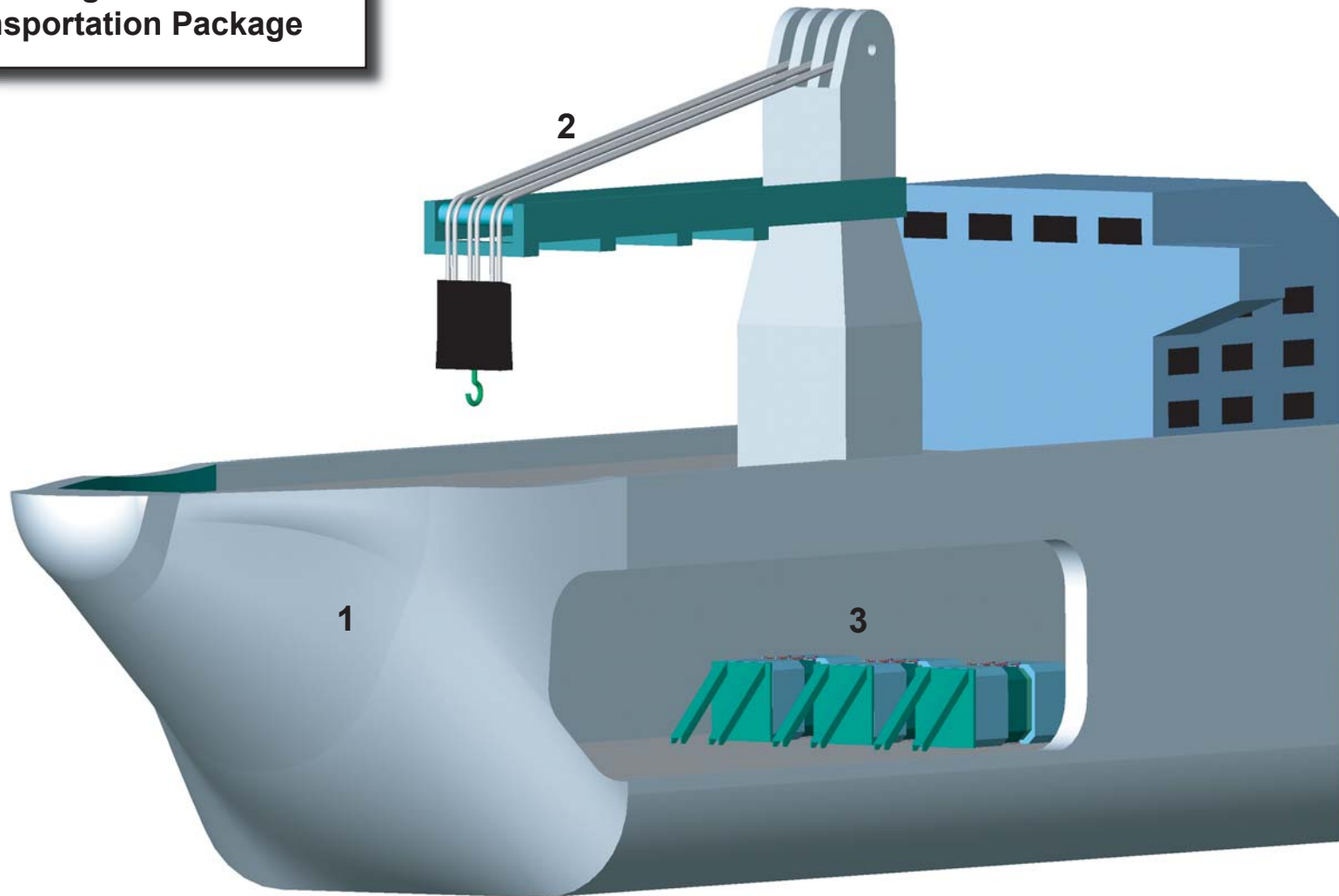
**(weather cover and labelling for transportation not shown)**

**Water Transportation of  
Transportation Cask IFTC/BM**



1. Vessel meeting INF Code requirements
2. Self-gearred
3. IFTC/BM Casks shown in hold

**Water Transportation of  
Dry Storage Container  
Transportation Package**



1. Vessel meeting INF Code requirements
2. Self-gereated
3. DS CTPs shown in hold